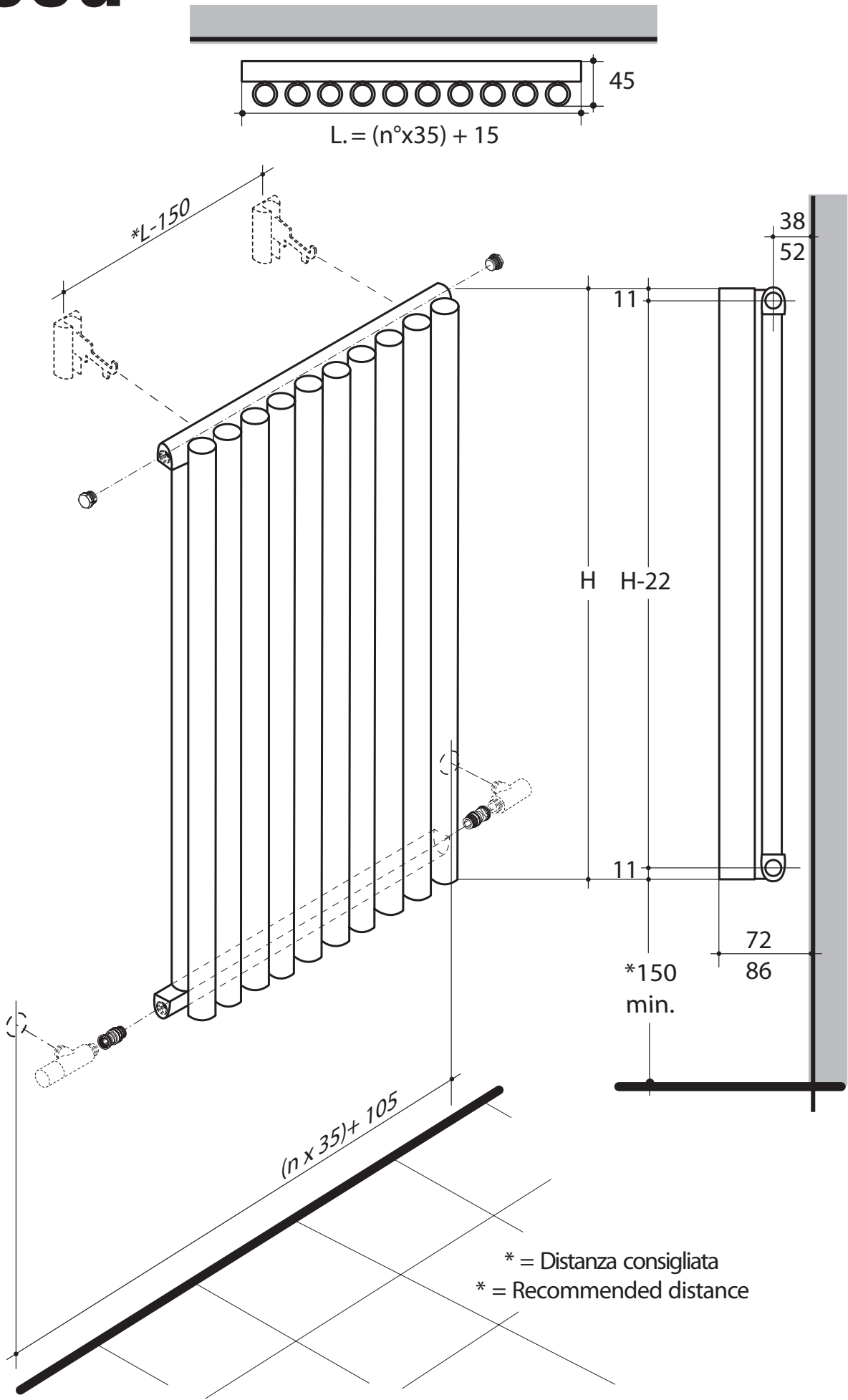


reed



* = Distanza consigliata
* = Recommended distance