

Atlantic

Tower



Atlantic Tower

The Decoflame® Atlantic Tower bioethanol fireplace is an exclusive wall-mounted fireplace executed in glass and stainless steel.

The Atlantic Tower is the smallest model in the Atlantic series of fireplaces. With its vertical layout, the Tower is well suited for smaller settings, as in kitchens or hung on a column. The tempered glass front ensures an efficient convection which provides an even heat distribution in the room. The flame intensity of the patented burner of the Atlantic Tower is adjustable.

Specifications

Materials:
Steel, stainless steel and tempered glass.

Finish:
Powder-coated

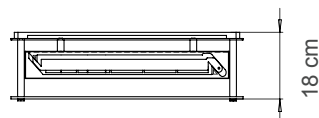
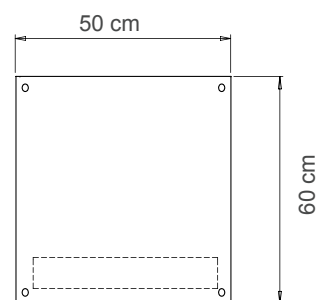
Heat efficiency:
3.1 – 6.2 kW

Burner volume:
2.5 litres of bioethanol. Use only bioethanol for Decoflame® fireplaces.

Burning duration:
One filling of bioethanol will burn 4 – 8 hours depending on flame intensity and air flow (adjustable flames).

Dimensions:

Weight: 17.0 kg



Design: Kjell Thomsen, Decoflame®


decoflame®
Odor- and smokeless bio fireplaces