

New York

Plaza



New York Plaza

The New York series of wall-hung bioethanol fireplaces comprises the most popular models from Decoflame® as they fit into every modern home and provide an impressive effect.

The New York Plaza is slightly smaller than the Empire and is well suited for any size of setting. It is available in several different finishes and can be manufactured according to special requirements in colour and size. The Plaza is ideal for creating a cosy atmosphere and works well as supplement to existing heating systems. This model is installed easily and comes with an adjustable burner.

Specifications

Materials:

Steel and stainless steel.

Finishes:

Brushed, polished (mirror-finish) and powder-coated.

Heat efficiency:

2.7 - 5.4 kW

Burner volume:

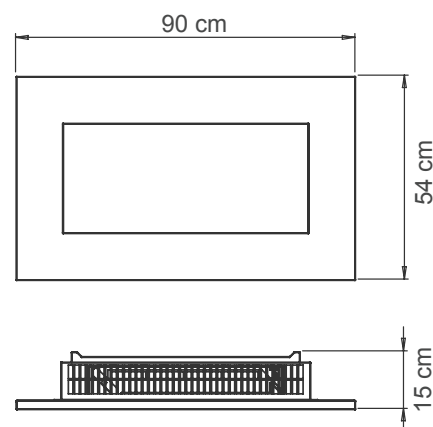
3 litres of bioethanol. Use only bioethanol for Decoflame® fireplaces.

Burning duration:

One filling of bioethanol will burn 4-8 hours depending on flame intensity and air flow.

Dimensions:

Weight: 19.6 kg



Design: Kjell Thomsen, Decoflame®

decoflame®
Odor- and smokeless bio fireplaces